

Ultrasonic Diffuse, Digital Output Types UA30EAD.....TI



- Cylindrical M30 Stainless Steel INOX AISI 316L housing
- Sensing distance: 350-3500 mm
- Power supply: 12 to 30 VDC
- Outputs: Two multi function switching outputs. PNP or NPN
- Setup: Normal switching or adjustable hysteresis
- Repeatability 1%
- Beam angle. $\pm 7^\circ$
- Protection: Short-circuit, reverse polarity and overvoltage
- Protection degree IP 67
- 2 m cable or M12 plug



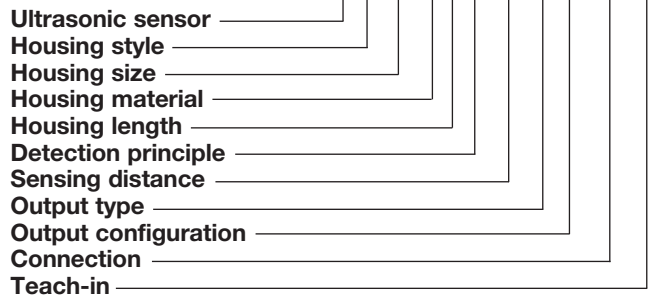
Product Description

A self-contained multi function diffuse ultrasonic sensor in Stainless steel housing and with a sensing range of 350 to 3500 mm. 2 switching outputs - easily set up for two different output modes and adjusted by teach-in - makes it ideal for level control tasks in a wide variety of

vessels. A sturdy one-piece polyester housing provides the perfect packaging for the sophisticated microprocessor controlled and digitally filtered sensor electronics. Excellent EMC performance and precision are typical features of this sensor on true distance measurement.

Ordering Key

UA30EAD35NPM1TI



Type Selection

Housing diameter	Conne- tion	Rated operating dist. (S _n)	Digital output NPN/PNP	Ordering no.
M30	Plug M12	350-3500 mm	2 x NPN	UA 30 EAD 35 NP M1 TI
M30	Cable	350-3500 mm	2 x NPN	UA 30 EAD 35 NP TI
M30	Plug M12	350-3500 mm	2 x PNP	UA 30 EAD 35 PP M1 TI
M30	Cable	350-3500 mm	2 x PNP	UA 30 EAD 35 PP TI

Specifications

Rated operating distance (S_n)	Reference target: 1 mm metal rolled finish, size 400 x 400 mm. 350 - 3500 mm	Output current continuous (I_e)	Max. load capacity 100 nF UL508 specification	≤ 300 mA ≤ 100 mA
Blind zone	≤ 350 mm	Output current short-time (I)	Max. load capacity 100 nF UL508 specification	≤ 300 mA ≤ 100 mA
Repeatability	1%	Minimum operational current (I_m)		≤ 0.5 mA
Beam angle	±7°	OFF-state current (I_o)		≤ 10 µA
Adjustment Push-button	P1 (farthest setpoint) P2 (nearest setpoint)	Voltage drop (U_d)		≤ 2.2 VDC @ 100 mA
Temperature drift	≤ 0.1%/°C @ -20° to +70° C	Protection		Short-circuit, overvoltage and reverse polarity
Temperature compensation	Yes	Carrier frequency		112 kHz
Hysteresis (H)	Min. 1%	Operating frequency (f)		≤ 2 Hz
Rated operational voltage (U_B)	12 to 30 VDC (ripple included)	Response time OFF-ON (t_{ON})		≤ 250 mS
Ripple (U_{rip})	≤ 5%	Response time ON-OFF (t_{OFF})		≤ 250 mS
No-load supply current (I_o)	≤ 50 mA @ U _B max	Power ON delay		≤ 1500 mS

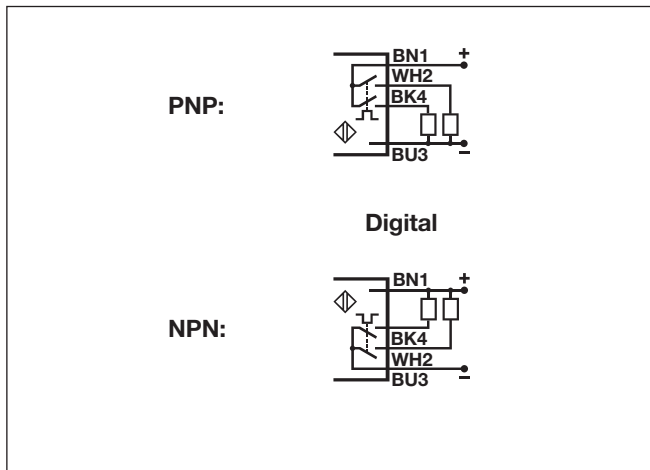


Specifications (cont.)

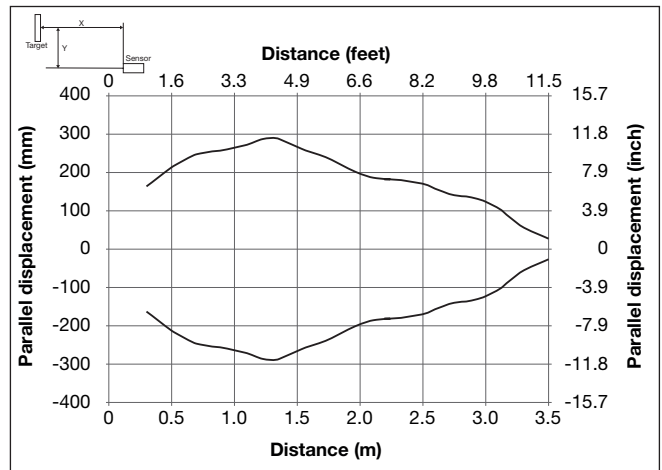
Output function, open collector By sensor type	NPN or PNP
Output switching function	Two open collector transistor outputs to be configured as: - Normal Switching function with N.O and N.C. output. - Adjustable hysteresis Filling or emptying control
Indication Output ON Echo received	Yellow LED Green LED
Environment Installation category Pollution degree Degree of protection	III (IEC 60664/60664A; 60947-1) 3 (IEC 60664/60664A; 60947-1) IP67 (IEC 60529; 60947-1) Nema 4X
Ambient temperature Operating Storage	-20° to +70°C (-4° to +158°F) -35° to +70°C (-31° to +158°F)
Vibration	10 to 55 Hz, 1.0 mm/6G. (IEC/EN 60068-2-6)

Shock	30 g / 11 mS, 3 directions (IEC/EN 60068-2-27)
Rated insulation voltage	< 500 VAC (rms)
Housing Material body Material front Material back, plug Material back, cable Material push-button Sealing around push-button Material sealing front	AISI 316L Epoxy-glass resin Grilamid Grilamid TPE TPE TPE
Connection Cable Plug	PVC, grey, 2 m, 4 x 0.34 mm ² , Ø = 4.7 mm M12, 4-pin (CON. 14-series)
Tightening torque	≤ 100 Nm
Weight Cable version Plug version	220 g 150 g
CE-marking	Yes
Approvals	cULus (UL508)

Wiring Diagram



Detection Range



Dimensions

